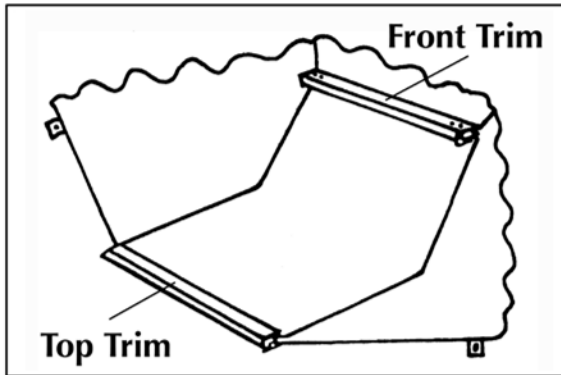
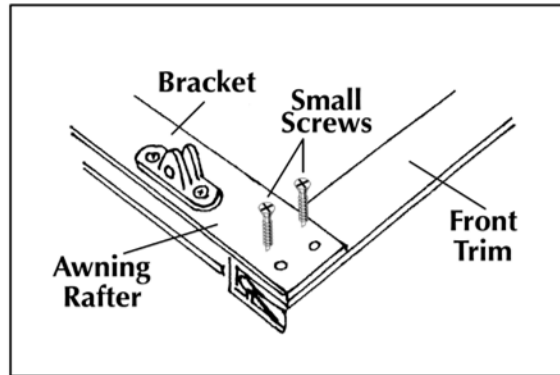


Islander & Waterfront

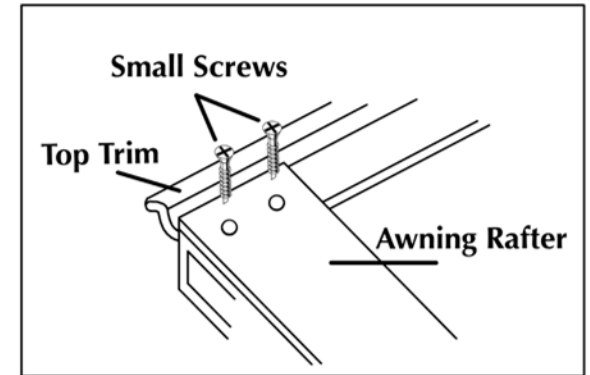
Fabric Casement Window Awning Assembly Instructions



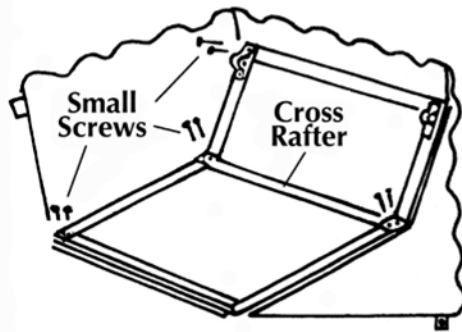
1. Layout fabric awning with top & front trim facing up. Assembly should be done on a clean, dry surface.



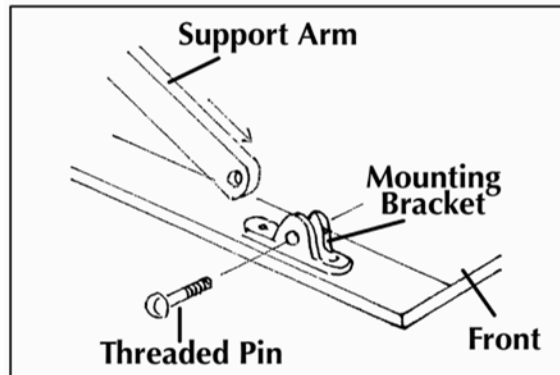
2. Attach awning rafter with pre-attached bracket to front trim using small screws.



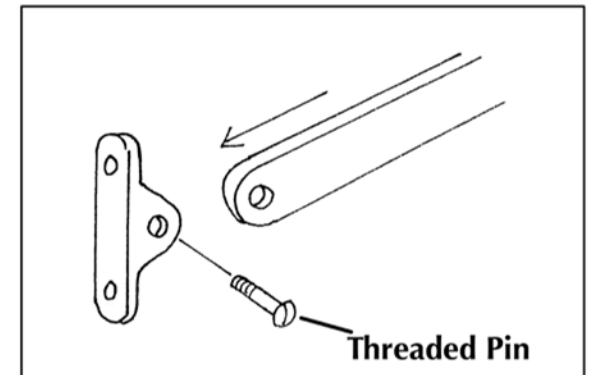
3. Attach the other end of awning rafter to top trim using small screws.



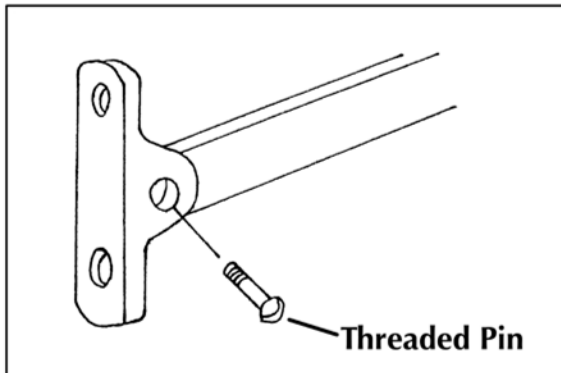
4. Repeat steps 2 & 3 on other awning rafter as shown. Secure cross rafter with small screws.



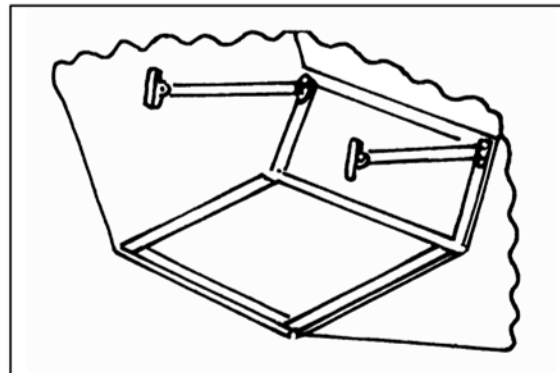
5. Slide support arm into mounting bracket and secure with threaded pin.



6. Repeat step 5 on opposite end of support arm.



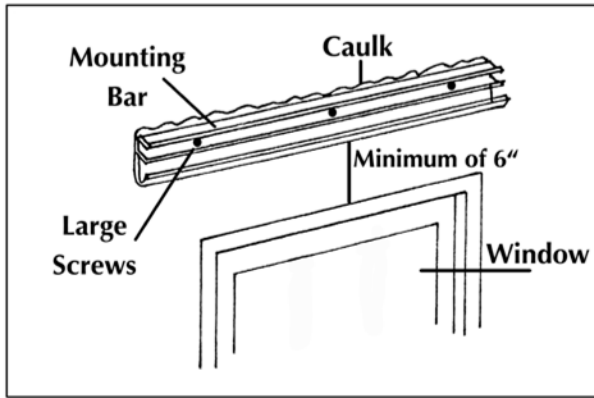
7. Threaded pin will be removed later & re-installed through a grommeted tab.



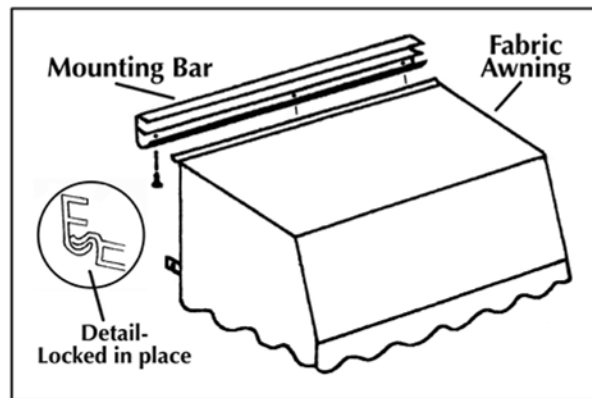
8. Fabric awning should appear as shown above (upside down) to be ready for mounting/installation.

Islander & Waterfront

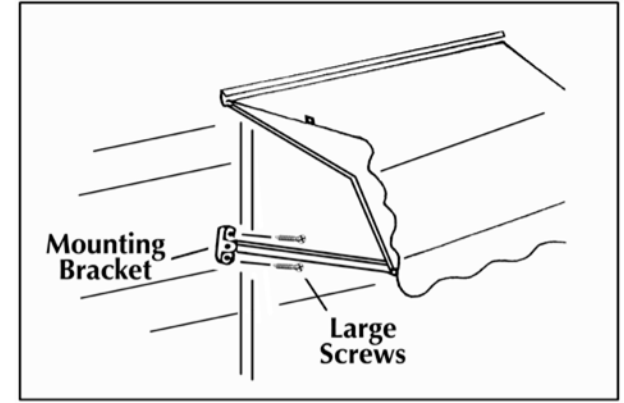
Fabric Casement Window Awning Installation Instructions



1. Install mounting bar with large screws a minimum of 6" above window. Be sure bar is level and centered over opening. Caulk top of bar against wall. Be sure window opens under Awning before installing all screws.



2. Raise front of Awning and insert top trim into mounting bar. Align holes and secure Top Trim with small screws from bottom side.



3. To secure the support arms to house, check the mounting chart in step 4 for model number and correct mounting point. Secure mounting brackets to house with large screws.

Mounting dimension "A" is measured from the top of the mounting bar to the center of the mounting bracket

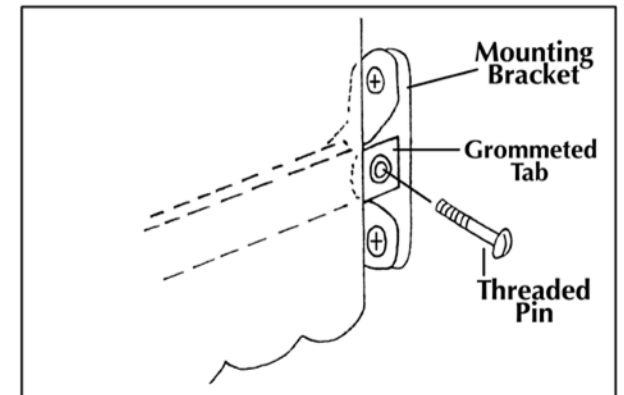
Mounting Bar
Mounting bracket

Window Awning Mounting Chart

Model Number	6	7	8	9
Mounting Point	17 1/2"	24"	29 1/4"	33 3/4"

4. Mounting points on this chart should be accurate. However, you may check the proper angle of the support arms by placing a level on them.

Note: Islander does NOT have sides, therefore step 5 is not necessary.



5. After mounting brackets have been secured to the house, remove the threaded pins and re-insert them through grommeted tabs then back into the brackets to secure the Awning sides.