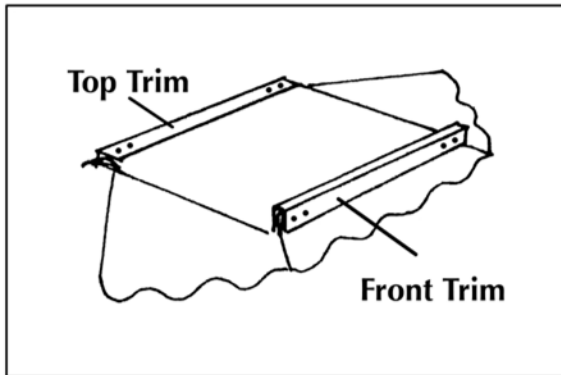
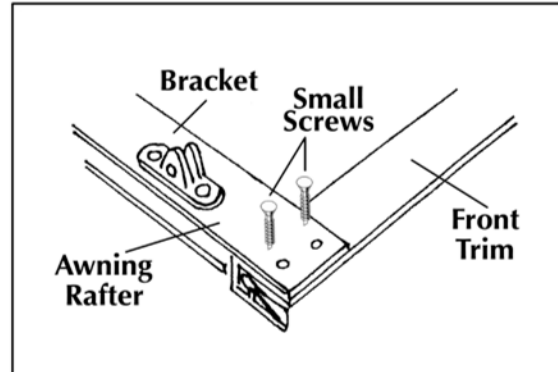


# Bay & Valiant

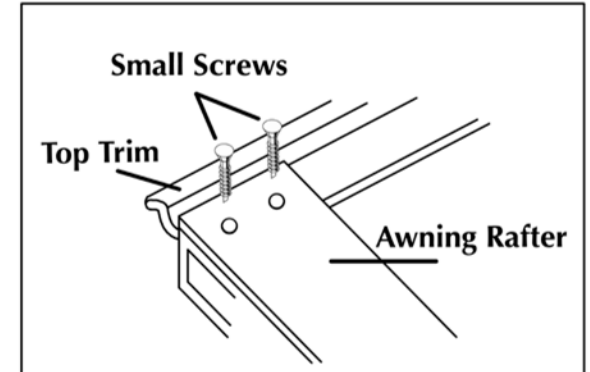
## Fabric Window Awning Assembly Instructions



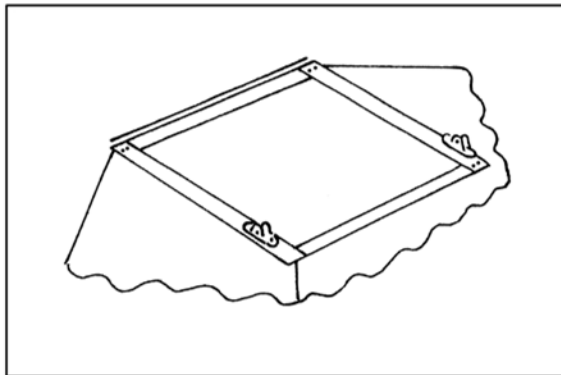
1. Layout fabric awning with top & front trim facing up. Assembly should be done on a clean dry surface.



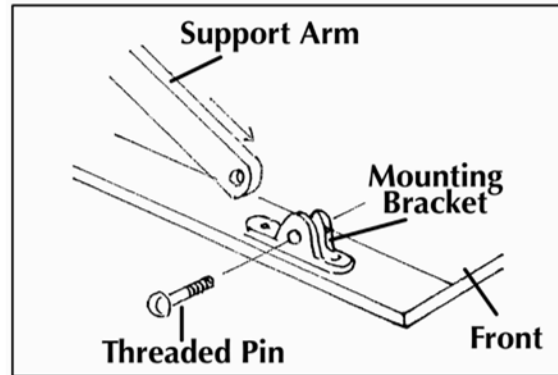
2. Attach awning rafter with pre-attached bracket to front trim using small screws.



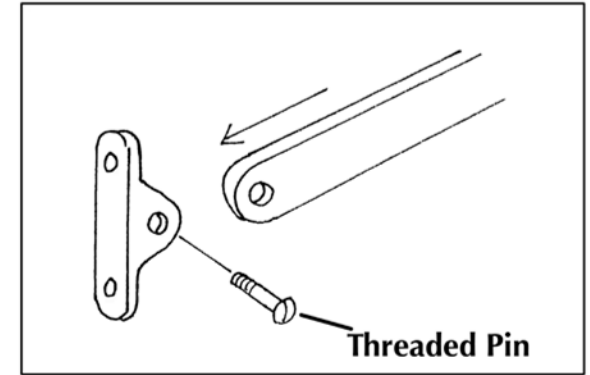
3. Attach the other end of awning rafter to top trim using small screws.



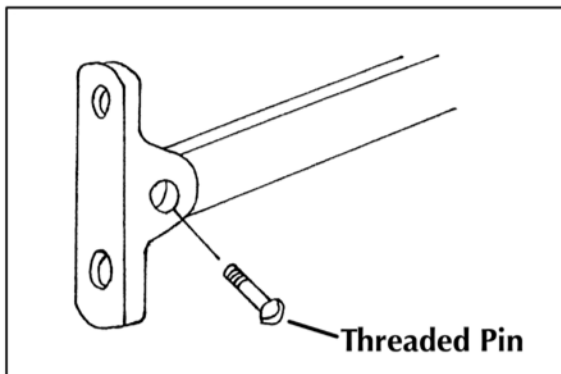
4. Repeat steps 2 and 3 on other awning rafter as shown above.



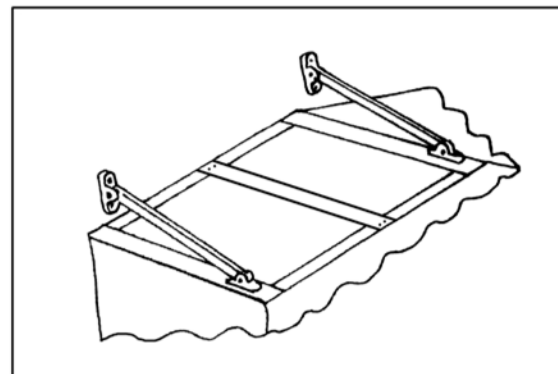
5. Slide support arm into mounting bracket and secure with threaded pin.



6. Repeat step 5 on opposite end of support arm.



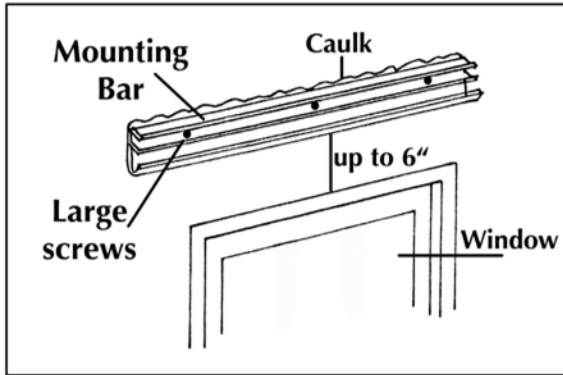
7. Threaded pin will be removed later and re-inserted through a grommeted tab.



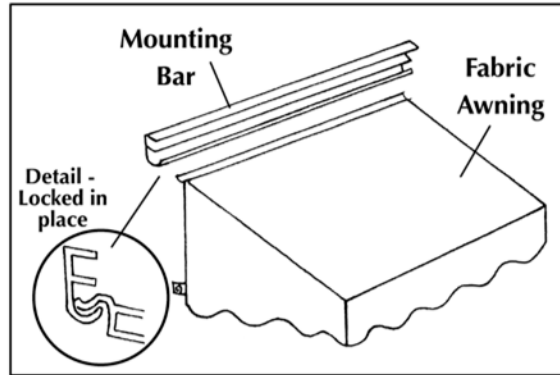
8. Fabric awning should appear as shown above to be ready for mounting.

# Bay & Valiant

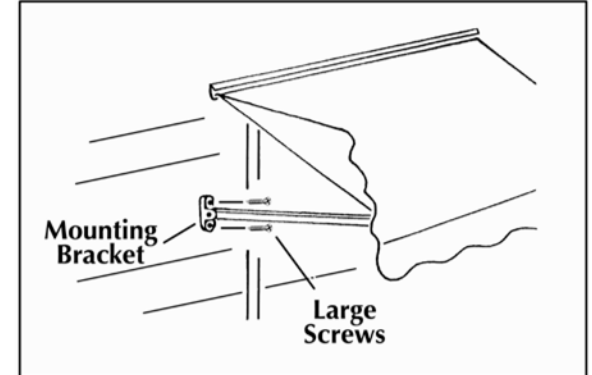
## Fabric Window Awning Installation Instructions



1. Install mounting bar with large screws either on casing or up to 6" above window. Be sure bar is level and centered over opening. Caulk top of bar against house.



2. Raise front of awning and insert top trim into mounting bar. Align holes and secure top trim to mounting bar with small screws from bottom side.



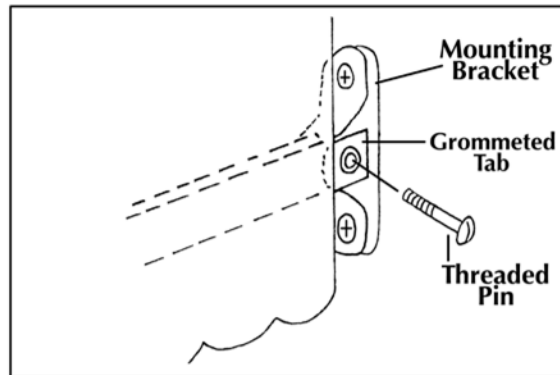
3. To secure support arms to house refer to mounting chart in step 4 for model number and correct mounting point. Secure mounting bracket to house with large screws.

Window Awning Mounting Chart

Model Number	4	*5	6	7	8
Mounting Point	13 3/4"	17 1/2"	21 3/4"	26 1/2"	31 3/4"

\* All stock awnings are model number 5

4. Mounting dimension 'A' is measured from the top of the mounting bar to the center of the mounting bracket.



5. After mounting brackets have been secured to the house, remove the threaded pins and re-insert them through grommeted tabs to secure the awning sides.

**Note:** The Bay does not have sides. Step 5 is not necessary.